

NOTE: UNLESS OTHERWISE NOTED ALL CONDUCTORS ARE 1,5 mm

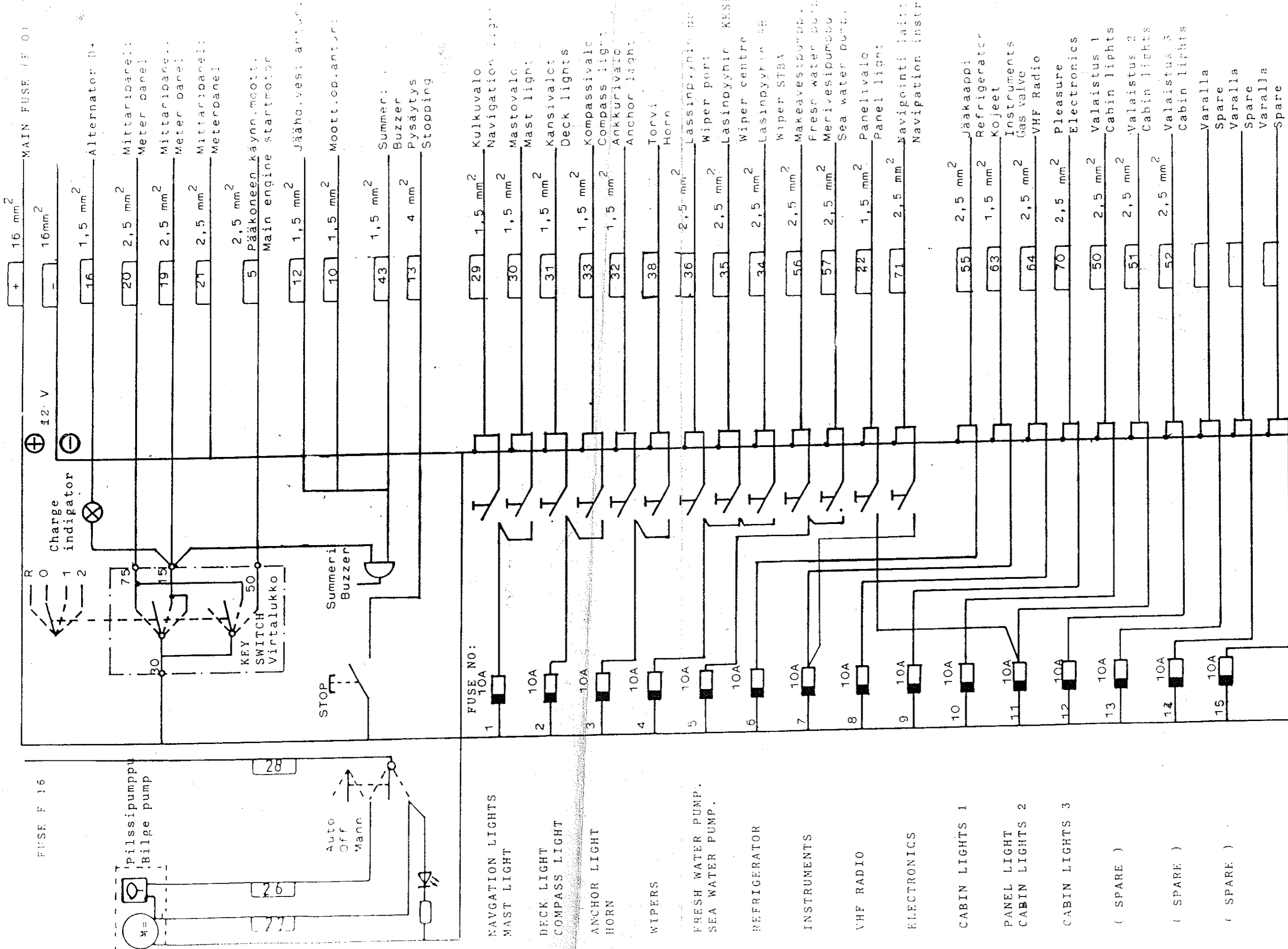
YACHT
MODUL OY

Nimi SILTALA YACHTS OY, NAUTICAT 35 / 36 / 38
 SÄHKÖNJÄKELIJÄRJESTELMÄ
 PÄÄVIRTAKAAVIO, FORD LEHMAN KONEELLA
 Name MAIN ENGINE SYSTEM FORD LEHMAN ENGINE

Lehti Sheet Hootes 2001
 No. 1 28001924
 Pirtustus OREVITE
 No. 3.4300.01

FUSE F 16

MAIN FUSE (F 01)



YACHT

MODULE Oy

Nimi SILTALA YACHTS, NAUTICAT 33 / 36 / 38

SÄHKÖNJAKELUJÄRJESTELMÄ

Name KATKAISIJA JA KULUTUSPANELI

SWITCH AND FUSE PANEL

Lehti Sheet

Muutos Revision

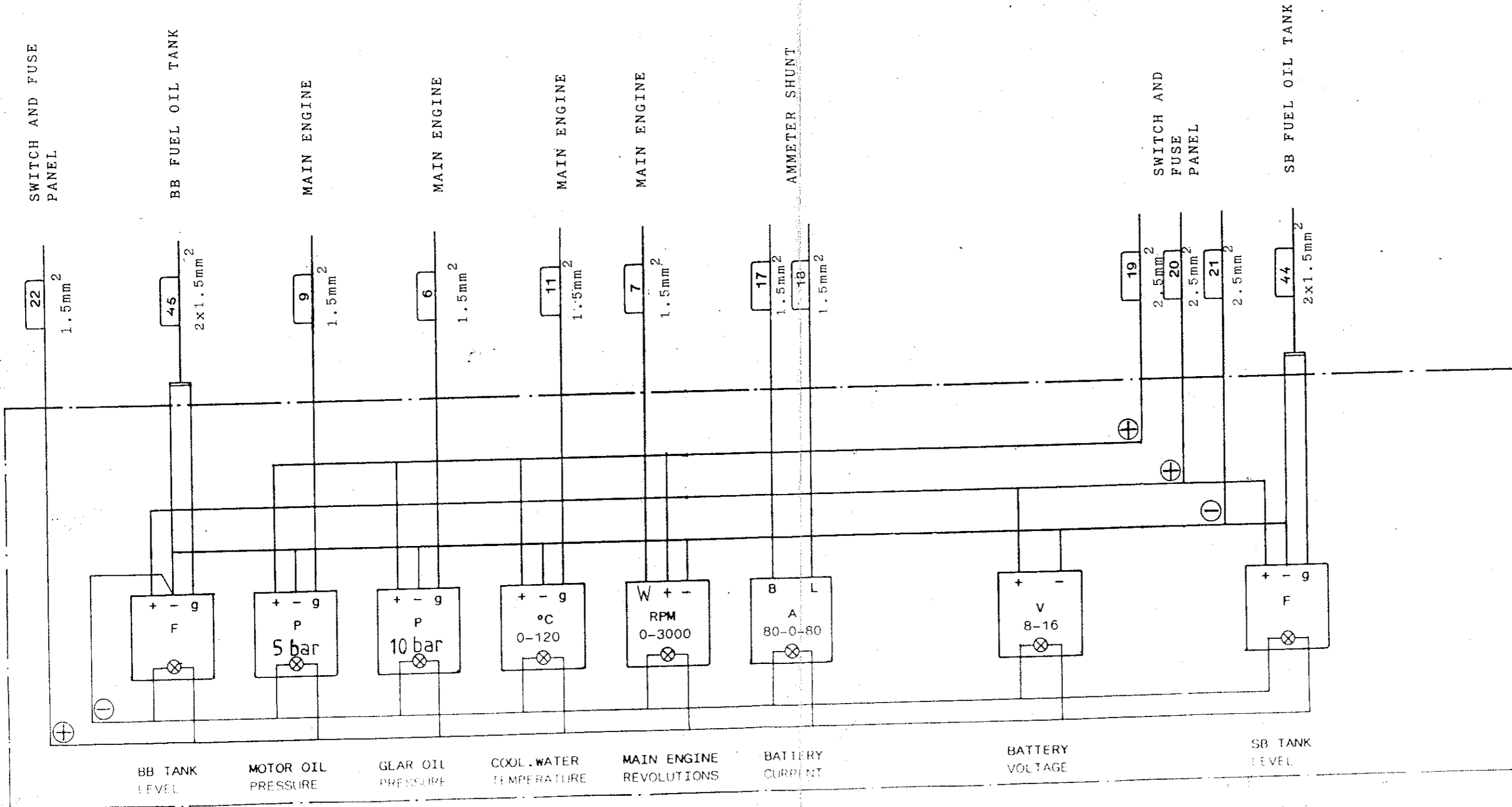
No. 2

29031984

Piirustus

Drawing

No. 3.4300.01



SWITCH AND FUSE
PANEL

BB FUEL OIL TANK

MAIN ENGINE

MAIN ENGINE

MAIN ENGINE

MAIN ENGINE

AMMETER SHUNT

SWITCH AND
FUSE
PANEL

SB FUEL OIL TANK

BB TANK
LEVEL

MOTOR OIL
PRESSURE

GEAR OIL
PRESSURE

COOL. WATER
TEMPERATURE

MAIN ENGINE
REVOLUTIONS

BATTERY
CURRENT

BATTERY
VOLTAGE

SB TANK
LEVEL

YACHT

MODULE OY

Nimi SILTALA YACHTS, NAUTICAT 33 / 36 / 38

SÄHKÖJAKELUJÄRJESTELMÄ

Name MITTARIPANELI, KYTKENTÄKAAVIO FORD LEHMAN KONEELLA

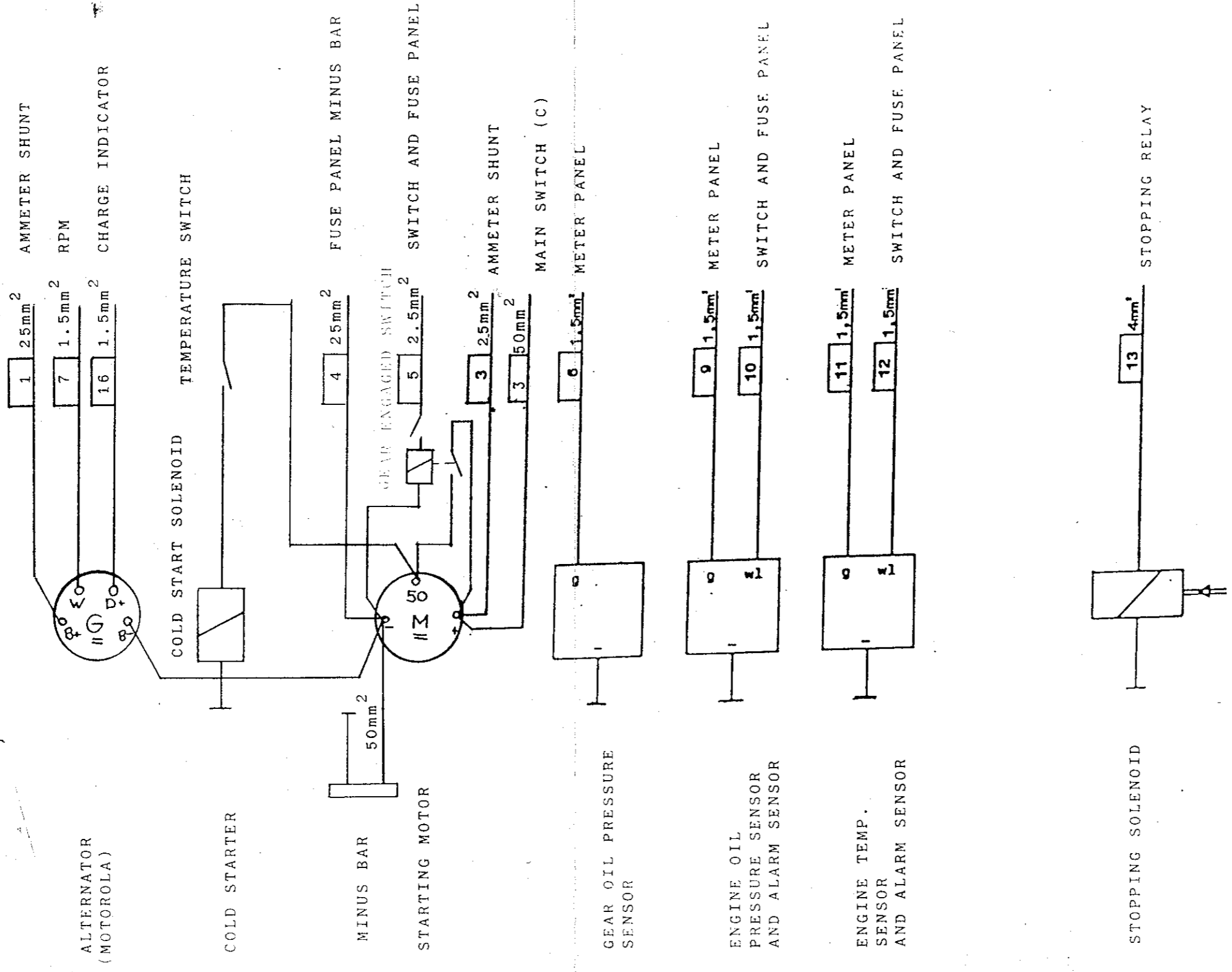
METER PANEL, CONNECTION DIAGRAM

Lehti Sheet Muutos Revision

No. 3 28031984

Piirustus Drawing

No. 3.4300.01



1 25mm² AMMETER SHUNT

7 1.5mm² RPM

16 1.5mm² CHARGE INDICATOR

ALTERNATOR (MOTOROLA)

COLD START SOLENOID

TEMPERATURE SWITCH

COLD STARTER

50mm² MINUS BAR

4 25mm² FUSE PANEL MINUS BAR

STARTING MOTOR

GEAR ENGAGED SWITCH

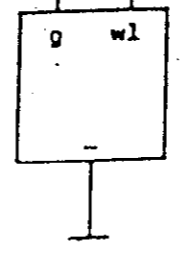
5 2.5mm² SWITCH AND FUSE PANEL

3 25mm² AMMETER SHUNT

3 50mm² MAIN SWITCH (C)

6 1.5mm² METER PANEL

GEAR OIL PRESSURE SENSOR

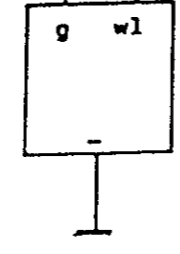


9 1.5mm² METER PANEL

ENGINE OIL PRESSURE SENSOR AND ALARM SENSOR



10 1.5mm² SWITCH AND FUSE PANEL

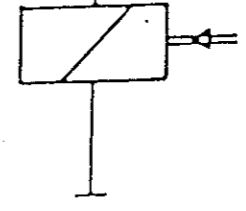


11 1.5mm² METER PANEL

ENGINE TEMP. SENSOR AND ALARM SENSOR



12 1.5mm² SWITCH AND FUSE PANEL



STOPPING SOLENOID

13 4mm²

STOPPING RELAY

YACHT

MODULE OY

Nimi SILTALA YACHTS, NAUTICAT 33 / 36 / 38

Name SÄHKÖNJAKELUJÄRJESTELMÄ
MOOTTORIN SÄHKÖLAITTEET, FORD LEHMAN KONEELLA
MAIN ENGINE ELECTRIC EQUIPMENTS
FORD LEHMAN ENGINE

Lehti Sheet

Muutosmerkintä

No. 4

28031981

Piirustus

Oravins

No. 3.4300.01